



REMAINS LIGHTING

PERMANENT COLLECTION

CECIL SCONCE

In our limited edition Cecil sconce, a faceted antique mirror, salvaged from an early 20th-century traditional lighting maker, is framed by our ogee-profile solid brass backplate.

Due to the character of antique mirror, there are significant variations from piece to piece.

Shown in Polished Nickel.

DIMENSIONS:

Overall: 6-1/2" h. x 3-3/4" w. x 8" d.

Backplate: 5-1/2" h. x 3-3/4" w.

LAMPING:

Single candelabra socket, maximum 60 watts

Also available with single Edison or GU24 socket

JUNCTION BOX:

2" x 3" vertical junction box recommended

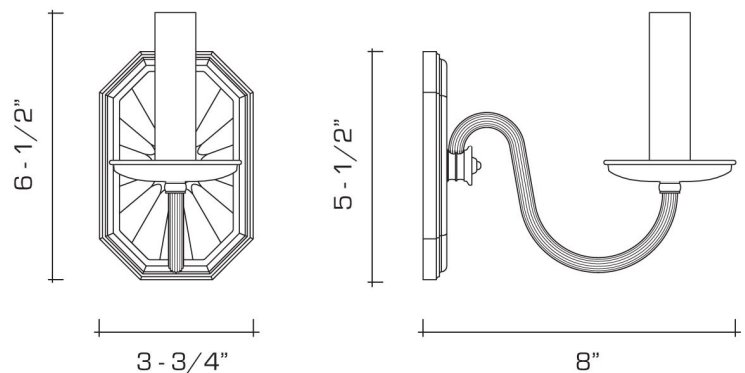



AVAILABLE FINISHES


polished brass

burnished brass, burnished nickel, dark waxed bronze, polished nickel

dark pewter, german silver, light pewter, antique brass, oil rubbed bronze, satin nickel



 UL listed for use in dry environments

 Manufactured using 85% recycled brass