



# REMAINS LIGHTING

PERMANENT COLLECTION

NEW YORK • GREENWICH • CHICAGO • LOS ANGELES • LONDON

## CECILY SCONCE

In our limited edition Cecily sconce, a faceted antique mirror, salvaged from an early 20th-century traditional lighting maker, is framed by our ogee-profile oval brass backplate. Please contact your salesperson for availability.

*Due to the character of antique mirror, there are significant variations from piece to piece.*

Shown in German Silver.

### DIMENSIONS:

OVERALL: 6-3/8" H. x 3-3/4" W. x 8" D.

BACKPLATE: 5-3/4" H. x 3-3/4" W.

### LAMPING:

Single candelabra socket, maximum 60 watts

Also available with single Edison or GU24 socket


### OPTIONS:

For other configurations and sizes, see our Cecil Family.

### JUNCTION BOX:

2" x 3" vertical junction box recommended



 UL listed for use in dry environments

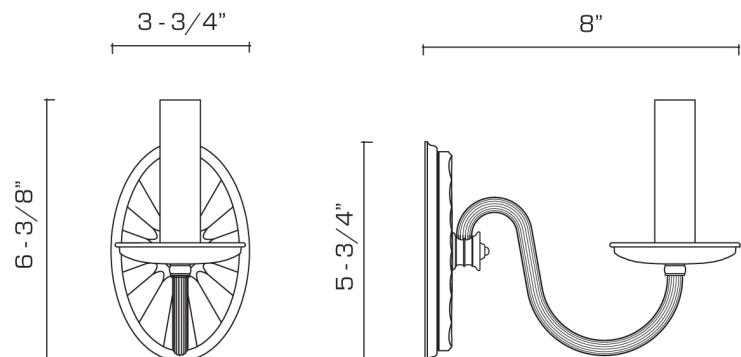
### AVAILABLE FINISHES

polished brass

burnished brass, burnished nickel, dark waxed bronze, polished nickel

dark antique brass, dark pewter, german silver, light antique brass, light pewter, medium antique brass, oil rubbed bronze, satin nickel

silverplate



Manufactured using 85% recycled brass