



# REMAINS LIGHTING

## PERMANENT COLLECTION

### MODERN BEEHIVE PENDANT

The fluted glass beehive shape of the blown glass shade is hung from a slender stem and delicate spoked hub. Please note that due to the handmade nature of this glass there are variations from piece to piece.

Shown in Antique Brass.

### DIMENSIONS:

Minimum height: 17-5/8"

Overall: 13-5/8" diameter

### LAMPING:

Single Edison socket, maximum 75 watts

### OPTIONS:

Quick Ship available in selected finishes.

For other configurations and sizes, see our Modern Beehive Family.

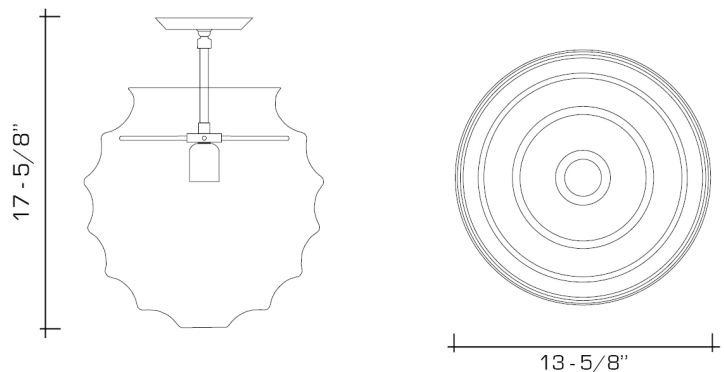



### AVAILABLE FINISHES

polished brass

burnished brass, dark waxed bronze, polished nickel, burnished nickel

antique brass, oil rubbed bronze, satin nickel, german silver, dark pewter



 UL listed for use in dry environments