



# REMAINS LIGHTING

PERMANENT COLLECTION

## PHILIP TAPERED EXTERIOR WALL LANTERN

Inspired by an early 19th-century English mirror design, the Philip lantern boasts a crisp cove-and-point bronze framework with clear glass panels capped by a stepped dome. Shown in Antique Brass.

### DIMENSIONS:

Overall: 33-3/8" h. x 14" w. x 16-3/8" d.

Backplate: 13" h. x 4" w.

Body: 22-7/8" h.

### LAMPING:

4 Candelabra sockets, maximum 60 watts per socket

### OPTIONS:

For other configurations and sizes, see our Philip Family.

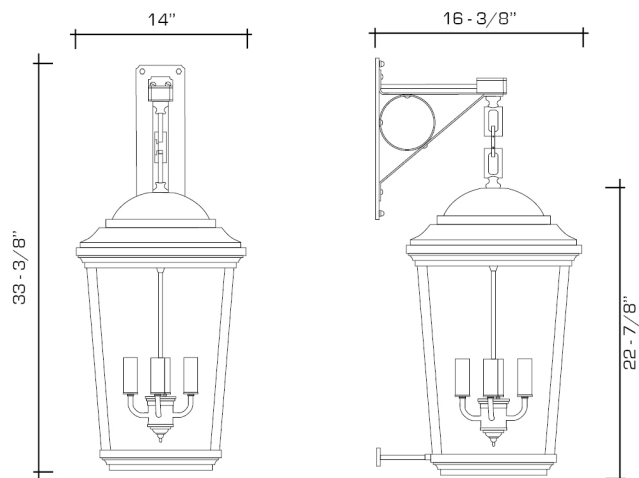



## AVAILABLE FINISHES

polished brass

burnished nickel, polished nickel, dark waxed bronze, burnished brass

german silver, light pewter, satin nickel, dark pewter, antique brass, oil rubbed bronze, verdigris



 UL listed for use in dry, damp, or wet environments.