



# REMAINS LIGHTING

PERMANENT COLLECTION

## EDWARD SCONCE

A turned and cut brass torchiere sconce with a banded column and chamfered octagonal backplate.

Shown in Dark Waxed Bronze.

### DIMENSIONS:

Overall: 9" h. x 4-5/8" w. x 4" d.

Backplate: 4-5/8" h. x 4-5/8" w.

### LAMPING:

Single candelabra socket, maximum 60 watts

Also available with single GU24 socket

### OPTIONS:

For other configurations and sizes, see our Tess Family.

### JUNCTION BOX:

2" x 3" vertical junction box recommended

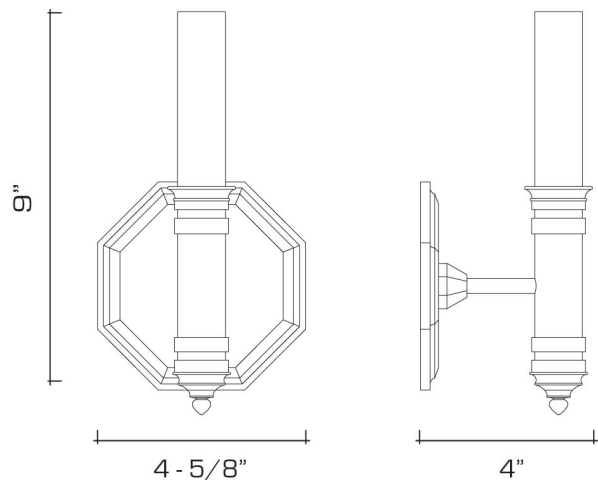



## AVAILABLE FINISHES


polished brass

burnished brass, burnished nickel, dark waxed bronze, polished nickel

dark pewter, german silver, light pewter, antique brass, oil rubbed bronze, satin nickel



 UL listed for use in dry environments

 Manufactured using 95% recycled brass