



REMAINS LIGHTING

PERMANENT COLLECTION

NEW YORK • GREENWICH • CHICAGO • LOS ANGELES • LONDON

ERICA SCONCE

A single-light torchiere sconce, precisely crafted from solid brass with fine beading and rope twist details.

Shown in Medium Antique Brass.

DIMENSIONS:

OVERALL: 13-1/4" H. x 4-1/2" W. x 5-1/4" D.

BACKPLATE: 4-1/2" DIAMETER

LAMPING:

Single candelabra socket, maximum 60 watts

Also available with single GU24 socket

OPTIONS:

For other configurations and sizes, see our Eric Family.

JUNCTION BOX:

2" x 3" vertical junction box recommended



UL listed for use in dry environments

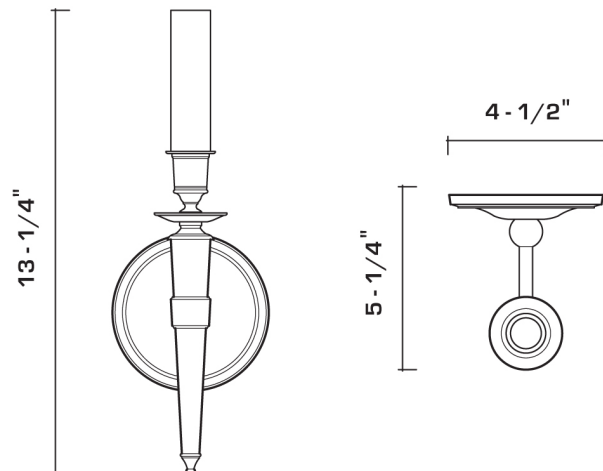
AVAILABLE FINISHES

polished brass

burnished brass, burnished nickel, dark waxed bronze, polished nickel

dark antique brass, dark pewter, german silver, light antique brass, light pewter, medium antique brass, oil rubbed bronze, satin nickel

silverplate



Manufactured using 95% recycled brass