



REMAINS LIGHTING

PERMANENT COLLECTION

ERICA TWIN SCONCE

A double-light torchiere sconce, precisely crafted from solid brass with fine beading and rope twist details.

Shown in Antique Brass.

DIMENSIONS:

Overall: 13-1/4" h. x 9" w. x 4-7/8" d.

Backplate: 4-1/2" diameter

LAMPING:

2 candelabra sockets, maximum 60 watts per socket

OPTIONS:

For other configurations and sizes, see our Eric Family.

JUNCTION BOX:

2" x 3" vertical junction box recommended

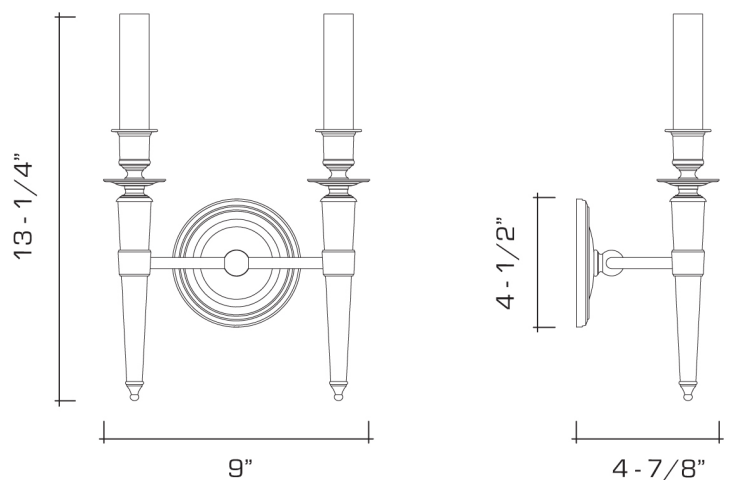



AVAILABLE FINISHES


polished brass

burnished brass, burnished nickel, dark waxed bronze, polished nickel

dark pewter, german silver, light pewter, antique brass, oil rubbed bronze, satin nickel



 UL listed for use in dry environments

 Manufactured using 98% recycled brass