



# REMAINS LIGHTING

PERMANENT COLLECTION

## MORGAN SCONCE

A double-arm brass sconce with an octagonal framed mirrored backplate.  
Shown in Burnished Brass.

### DIMENSIONS:

Overall: 8-1/2" h. x 8-1/4" w. x 4-1/2" d.  
Backplate: 4-3/8" h. x 3-7/8" w.

### LAMPING:

2 candelabra sockets, maximum 60 watts per socket

### OPTIONS:

The backplate can hold a silhouette under glass. Please ask your salesperson for details.

For other configurations and sizes, see our Morgan Family.

### JUNCTION BOX:

2" x 3" vertical junction box recommended

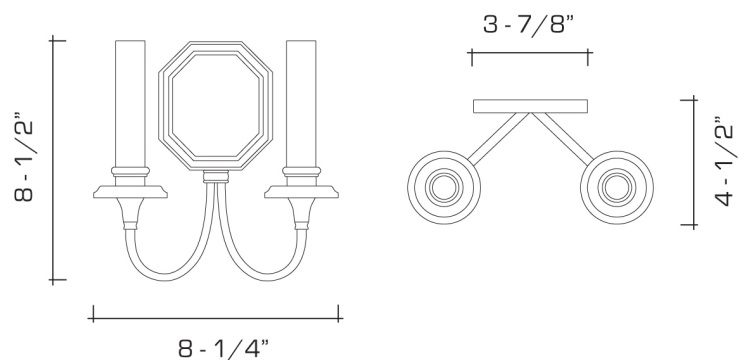



## AVAILABLE FINISHES


polished brass

burnished brass, burnished nickel, dark waxed bronze, polished nickel

dark pewter, german silver, light pewter, antique brass, oil rubbed bronze, satin nickel



 UL listed for use in dry environments

 Manufactured using 95% recycled brass