

# Scofield at REMAINS LIGHTING

## THOMASTON STATION EXTERIOR HANGING LANTERN LARGE

This stately version of an 18th century French railroad station lantern offers a transitional style appropriate for both period and modern exteriors. Shown in Bronzed Copper.

### DIMENSIONS:

Minimum height: 30-1/2"  
Overall: 12" w. x 12" d.  
Body: 24-1/2" h.

### LAMPING:

Single Edison socket  
Also available with 3 Candelabra socket

### OPTIONS:

Additional glass options available.  
For hanging candelabra cluster option recommended maximum wattage for beeswax candle sleeves is 25 watts each.  
For other configurations and sizes, see our Thomaston Station Family.  
See our Scofield options sheet for selections

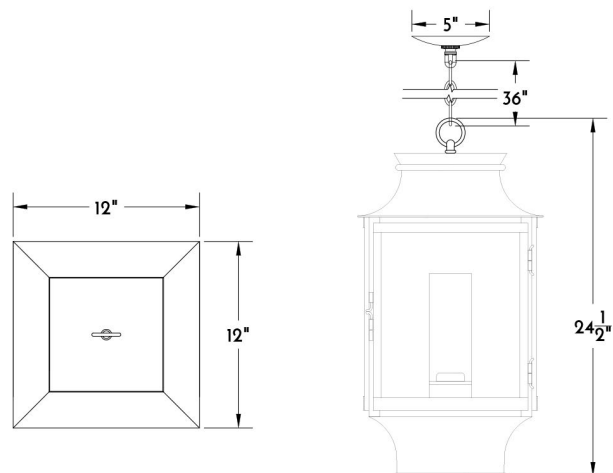



### AVAILABLE FINISHES

natural copper

bronzed copper

oxidized copper



 UL listed for use in dry, damp, or wet environments.