

REMAINS LIGHTING

PERMANENT COLLECTION

REX 10 SCONCE

A faceted arm and cup project from the sleek, diamond-shaped backplate of this Jazz Age-inspired sconce. Brass, with an inset panel of mirror, black, or white glass, as specified. Shown in Burnished Brass.

DIMENSIONS:

Overall: 8-1/4" h. x 4-1/4" w. x 2-3/4" d.

LAMPING:

Single Candelabra socket, maximum 60 watts

OPTIONS:

Black or white glass insert also available. For other configurations and sizes, see our Ava/Rex Family.

JUNCTION BOX:

2" x 3" Vertical junction box required

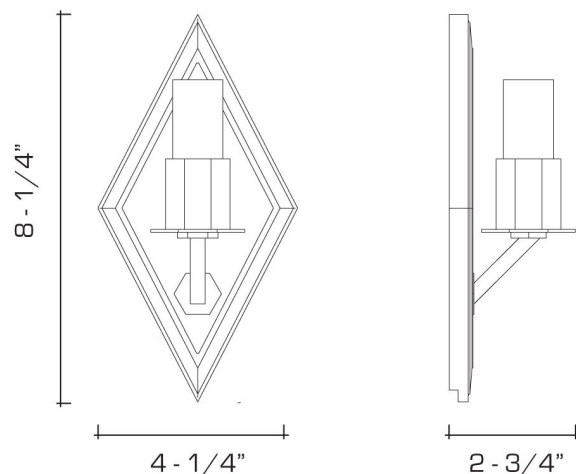



AVAILABLE FINISHES


polished brass

polished nickel, burnished brass, dark waxed bronze, burnished nickel

antique brass, light pewter, satin nickel, dark pewter, german silver, oil rubbed bronze



 UL listed for use in dry environments

 Manufactured using 95% recycled brass