



# REMAINS LIGHTING

PERMANENT COLLECTION

## SOLEIL TWIN SCONCE

Every element of this wall sconce - the backplate, arm, armback, cup, and bobèche - shares the same language of detail: a crisp rib and flute pattern. Constructed of cast bronze and tooled brass. Shown in Polished Brass.

### DIMENSIONS:

Overall: 10" h. x 10-1/2" w. x 7" d.

Backplate: 8" h. x 4-1/4" w.

### LAMPING:

2 candelabra sockets, maximum 60 watts per socket

Also available with 2 GU24 sockets

### OPTIONS:

For other configurations and sizes, see our Soleil Family.

### JUNCTION BOX:

2" x 3" vertical junction box recommended

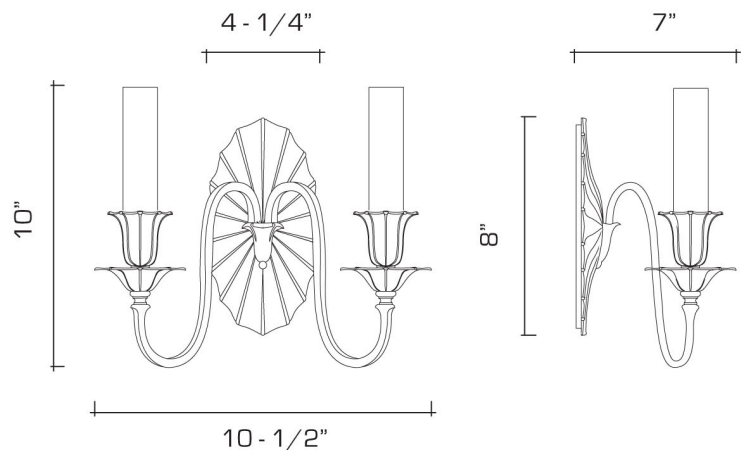



## AVAILABLE FINISHES


polished brass

burnished nickel, dark waxed bronze, polished nickel

burnished brass, dark pewter, german silver, light pewter, antique brass, oil rubbed bronze, satin nickel



 UL listed for use in dry environments

 Manufactured using 95% recycled brass