



REMAINS LIGHTING

PERMANENT COLLECTION

NEW YORK • GREENWICH • CHICAGO • LOS ANGELES • LONDON

THALIA SCONCE

A clean, versatile single-light torchiere sconce of cast and turned brass, shown with a satin clear square glass shade.

Shown in Polished Nickel.

DIMENSIONS:

OVERALL: 12-3/8" H. x 3-1/2" W. x 6-3/8" D.

BACKPLATE: 5-1/2" H. x 3-1/8" W.

LAMPING:

Single Edison socket, maximum 100 watts

Also available with single candelabra or GU24 socket


OPTIONS:

Alternate glass shades available.

JUNCTION BOX:

2" x 3" vertical junction box



 UL listed for use in dry or damp environments.

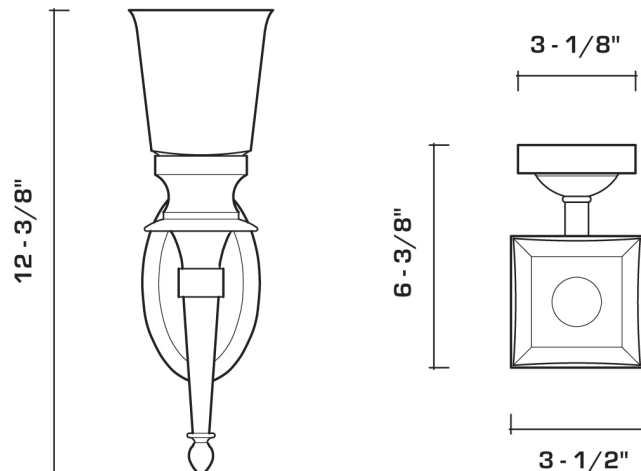
AVAILABLE FINISHES

polished brass

burnished brass, burnished nickel, dark waxed bronze, polished nickel

dark antique brass, dark pewter, german silver, light antique brass, light pewter, medium antique brass, oil rubbed bronze, satin nickel

silverplate



Manufactured using 65% recycled brass