



REMAINS LIGHTING

PERMANENT COLLECTION

NEW YORK • GREENWICH • CHICAGO • LOS ANGELES • LONDON

VERONIQUE UNEVEN SCONCE

Our double light, uneven height, French Moderne style wall sconce is built of crisp elemental forms in solid brass.

Shown in Silverplate.

DIMENSIONS:

OVERALL: 15" H. X 9-3/4" W. X 3-3/4" D.

BACKPLATE: 4-1/4" DIAMETER

LAMPING:

2 candelabra sockets, maximum 60 watts per socket

Also available with 2 Edison sockets

OPTIONS:


Specify tall arm facing left (as shown in photo) or facing right (per line drawing below).

For other configurations and sizes, see our Veronique Family.

JUNCTION BOX:

2" x 3" vertical junction box recommended



 UL listed for use in dry environments

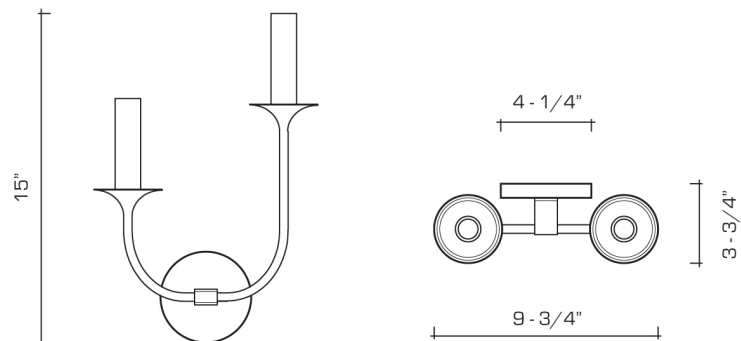
AVAILABLE FINISHES


polished brass

burnished brass, burnished nickel, dark waxed bronze, polished nickel

dark antique brass, dark pewter, german silver, light antique brass, light pewter, medium antique brass, oil rubbed bronze, satin nickel

silverplate



 Manufactured using 95% recycled brass