



REMAINS LIGHTING

PERMANENT COLLECTION

NEW YORK • GREENWICH • CHICAGO • LOS ANGELES • LONDON

VERONIQUE SWING FLOOR LAMP

Inspired by classic French Moderne designs, this swing-arm floor lamp, designed by Steven Sclaroff, embraces pure, sleek, simple forms. With a linen drum shade.

Shown in Polished Nickel.

DIMENSIONS:

OVERALL: 65" H. X 12" W. X 25" D.

HEIGHT TO SOCKET: 58"

SHADE: 10" H. X 12" DIAMETER

BASE: 11-3/4" DIAMETER

LAMPING:


Single Edison socket, maximum 150 watts

Also available with single 3-way or GU24 socket

OPTIONS:

For other configurations and sizes, see our Veronique Family.



 UL listed for use in dry environments

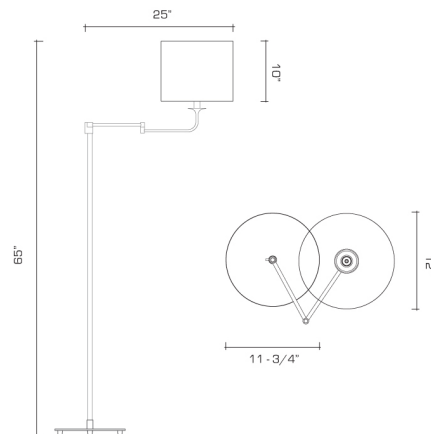
AVAILABLE FINISHES

polished brass

burnished brass, burnished nickel, dark waxed bronze, polished nickel

dark antique brass, dark pewter, german silver, light antique brass, light pewter, medium antique brass, oil rubbed bronze, satin nickel

silverplate



Manufactured using 90% recycled brass