



# REMAINS LIGHTING

PERMANENT COLLECTION

NEW YORK • GREENWICH • CHICAGO • LOS ANGELES • LONDON

## ALOYSIUS MIRROR

The sleek, broad chamfered profile of the bronze Aloysius frame echoes the wide bevel on the glass. Shown in Polished Bronze.

### DIMENSIONS:

OVERALL: 25-7/8" H. x 19-7/8" W. x 1/2" D.

MOUNTING TYPE: D RINGS

SPECIFY PORTRAIT OR LANDSCAPE ORIENTATION.

### OPTIONS:

Available in additional standard and custom sizes.

For other configurations and sizes, see our Sebastian Family.



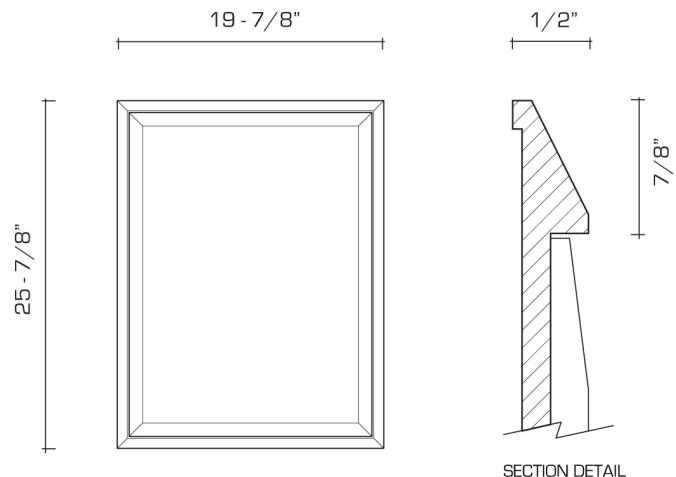
## AVAILABLE FINISHES

polished bronze

burnished nickel, dark waxed bronze, polished nickel, burnished bronze

dark antique bronze, dark pewter, german silver, light antique bronze, light pewter, medium antique bronze, oil rubbed bronze, satin nickel

silverplate



Manufactured using 90% recycled brass