



REMAINS LIGHTING

PERMANENT COLLECTION

VERONIQUE 8 CHANDELIER WITH GLASS SHADES

A French Moderne style eight-light chandelier with sleek flared arms finished with delicately tapered clear glass shades radiating from a lozenge cluster. The delicate body is suspended from a slender rod and a length of chain, depending on overall height. Designed by Steven Sclaroff. Shown in Polished Brass.

DIMENSIONS:

Minimum height: 21-5/8"

Overall: 26-3/8" diameter

Height to loop: 17-7/8"

Canopy: 1-1/4" h. x 5-1/8" diameter

Glass: 6-1/2" h. x 3-1/2" diameter

LAMPING:

8 Candelabra sockets, maximum 60 watts per socket

OPTIONS:

Available with white glass.

For other configurations and sizes, see our Veronique Family.

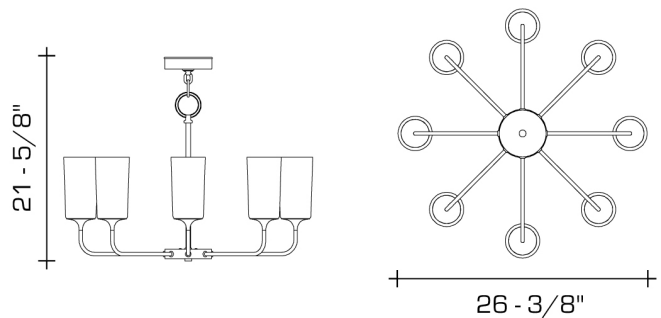



AVAILABLE FINISHES


polished brass

polished nickel, burnished brass, burnished nickel, dark waxed bronze, custom finish

antique brass, light pewter, german silver, dark pewter, oil rubbed bronze, satin nickel



 UL listed for use in dry environments

 Manufactured using 75% recycled brass