



REMAINS LIGHTING

PERMANENT COLLECTION

NEW YORK • GREENWICH • CHICAGO • LOS ANGELES • LONDON

DEVON LANTERN

A pure distillation of the archetypical hanging lantern, the Devon is made of precisely tooled brass with a hand worked surface, and glazed with clear seeded glass panels.

Shown in Medium Antique Brass.

DIMENSIONS:

MINIMUM HEIGHT: 27-1/2"

OVERALL: 10-1/2" DIAMETER

LAMPING:

Single Edison socket, maximum 150 watts


Also available with single GU24 socket (frosted glass recommended)

OPTIONS:

Several glass variations available.

For other configurations and sizes, see our Devon Family.



 UL listed for use in dry, damp, or wet environments.

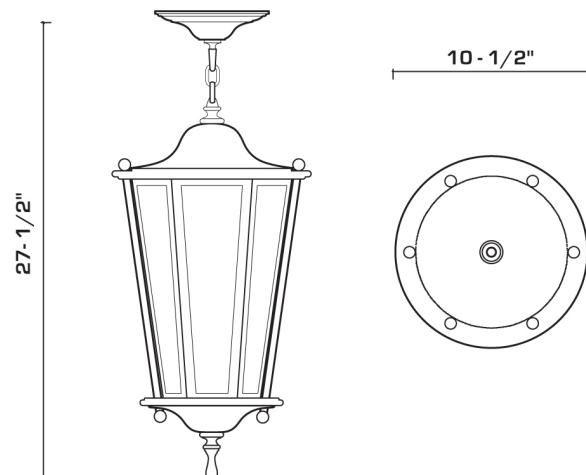
AVAILABLE FINISHES

polished brass

burnished brass, burnished nickel, dark waxed bronze, polished nickel

dark antique brass, dark pewter, german silver, light antique brass, light pewter, medium antique brass, oil rubbed bronze, satin nickel

silverplate



Manufactured using 90% recycled brass