



REMAINS LIGHTING

PERMANENT COLLECTION

PAUL 13 LANTERN

The Paul is defined by the single curve of its vaulted roof. It is crafted from robust cut-brass panels and subtly detailed with sharp corner mullions that step slightly proud of the body. Shown in Satin Nickel.

DIMENSIONS:

Minimum height: 21-5/8"

Overall: 12" w. x 12" d.

LAMPING:

4 candelabra sockets, maximum 60 watts per socket

Also available with single Edison or GU24 socket (frosted glass recommended)

OPTIONS:

Several glass variations available.

For other configurations and sizes, see our Paul Family.

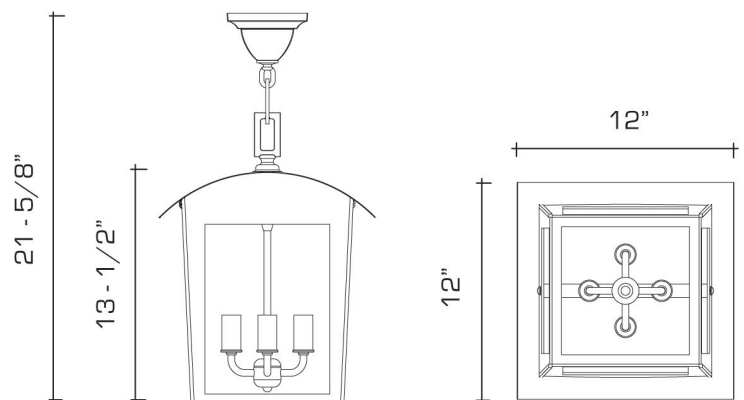



AVAILABLE FINISHES


polished brass

burnished brass, burnished nickel, dark waxed bronze, polished nickel

dark pewter, german silver, light pewter, antique brass, oil rubbed bronze, satin nickel



 UL listed for use in dry environments

 Manufactured using 30% recycled brass