



REMAINS LIGHTING

PERMANENT COLLECTION

NEW YORK • GREENWICH • CHICAGO • LOS ANGELES • LONDON

PAUL 18 LANTERN

The Paul is defined by the single curve of its vaulted roof. It is crafted from robust cut-brass panels and subtly detailed with sharp corner mullions that step slightly proud of the body.

Shown in Mandarin Red.

DIMENSIONS:

MINIMUM HEIGHT: 27-1/2"

OVERALL: 17" W. X 16-3/4" D.

LAMPING:

4 candelabra sockets, maximum 60 watts per socket


Also available with single Edison or GU24 socket (frosted glass recommended)

OPTIONS:

Several glass variations available.

For other configurations and sizes, see our Paul Family.



 UL listed for use in dry environments

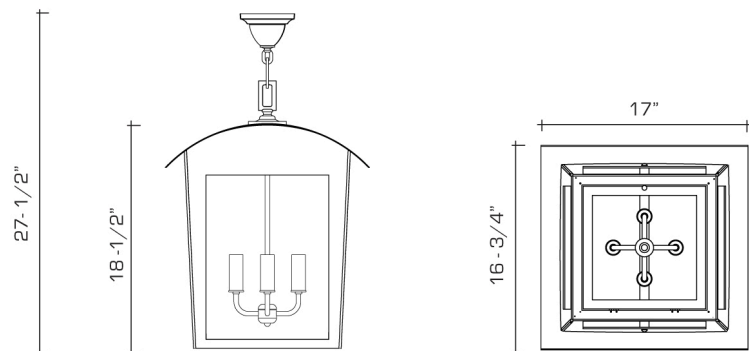
AVAILABLE FINISHES


polished brass

burnished brass, burnished nickel, dark waxed bronze, polished nickel, mandarin red

dark antique brass, dark pewter, german silver, light antique brass, light pewter, medium antique brass, oil rubbed bronze, satin nickel

silverplate



 Manufactured using 30% recycled brass