



# REMAINS LIGHTING

PERMANENT COLLECTION

## DEVON EXTERIOR LANTERN

A pure distillation of the archetypical hanging lantern, the Devon is made of precisely tooled brass with a hand worked surface, and glazed with clear seeded glass panels. Shown in Burnished Brass.

### DIMENSIONS:

Minimum height: 27-1/2"

Overall: 10-1/2" diameter

### LAMPING:

Single Edison socket, maximum 150 watts

### OPTIONS:

Several glass variations available.

For other configurations and sizes, see our Devon Family.

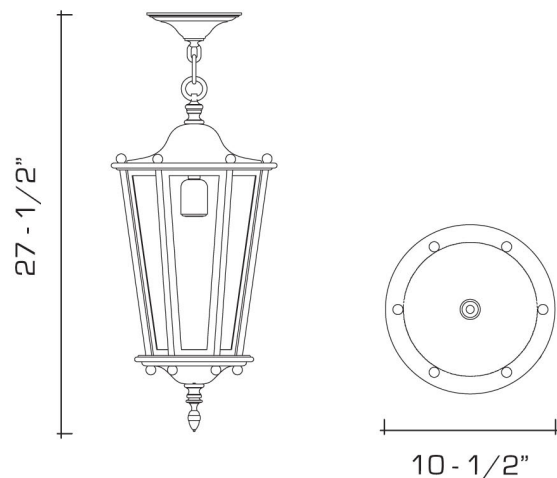



## AVAILABLE FINISHES

polished brass

burnished brass, burnished nickel, dark waxed bronze, polished nickel

dark pewter, german silver, light pewter, antique brass, oil rubbed bronze, satin nickel, verdigris



 UL listed for use in dry, damp, or wet environments.

 Manufactured using 90% recycled brass