



# REMAINS LIGHTING

PERMANENT COLLECTION

NEW YORK • GREENWICH • CHICAGO • LOS ANGELES • LONDON

## NATHANIEL EXTERIOR LANTERN

A traditional lantern accented with whimsical scallops and beading. The tapered sides hold six panels of clear seeded glass.

Shown in Polished Nickel.

### DIMENSIONS:

MINIMUM HEIGHT: 27-1/2"

OVERALL: 12-1/2" DIAMETER

### LAMPING:


3 candelabra sockets, maximum 60 watts per socket

### OPTIONS:

Several glass variations available.

For other configurations and sizes, see our Nathaniel Family.



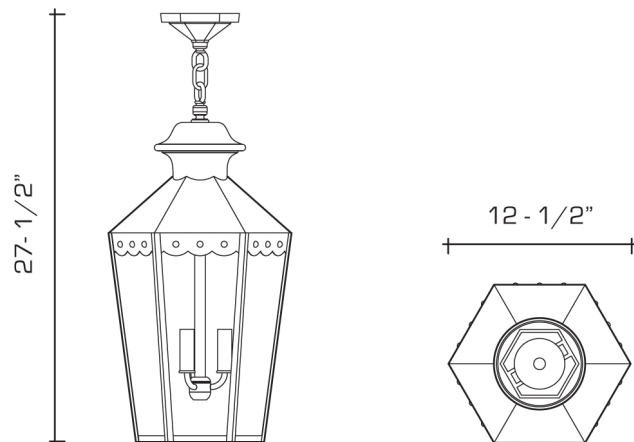
 UL listed for use in dry, damp, or wet environments.

### AVAILABLE FINISHES

polished brass

burnished brass, burnished nickel, dark waxed bronze, polished nickel

oil rubbed bronze, dark antique brass, dark pewter, german silver, light antique brass, light pewter, medium antique brass, satin nickel



Manufactured using 90% recycled brass