



REMAINS LIGHTING

PERMANENT COLLECTION

SHEARWATER PENDANT

A sharp-edged streamlined pendant fixture with metalwork designed of 90 degree faceted solid brass details. The white linen square shade is trimmed with an integral linen diffuser. Shown in Burnished Brass.

DIMENSIONS:

Minimum height: 14"
Shade: 8" h. x 14" w. x 14" d.

LAMPING:

2 Edison sockets, maximum 75 watts per socket
Also available with 2 GU24 sockets

OPTIONS:

For other configurations and sizes, see our Elliott Family.

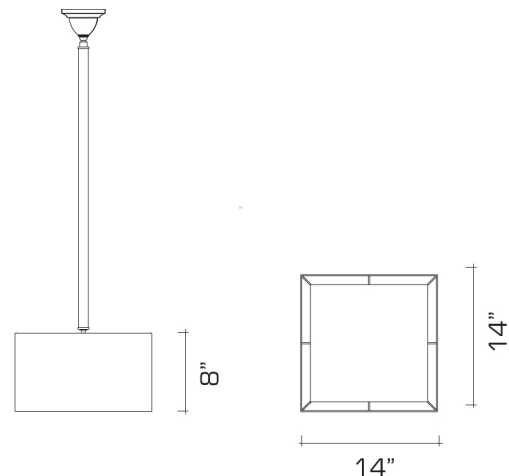



AVAILABLE FINISHES


polished brass

burnished brass, burnished nickel, dark waxed bronze,
polished nickel

dark pewter, german silver, light pewter, antique brass, oil
rubbed bronze, satin nickel



 UL listed for use in dry environments

 Manufactured using 90% recycled brass