



REMAINS LIGHTING

PERMANENT COLLECTION

HERON EXTERIOR LANTERN

Our modern distillation of the traditional English foursquare hall lantern is a clean, sharply detailed rectangular form made of solid brass. Glazed with clear, fluted glass panels. Shown in Dark Pewter.

DIMENSIONS:

Minimum height: 23"
Overall: 10" w. x 10" d.

LAMPING:

4 candelabra sockets, maximum 60 watts per socket
Also available with single GU24 or Edison socket (frosted glass recommended)

OPTIONS:

Several glass variations available. Optional bottom door also available.
For other configurations and sizes, see our Heron Family.

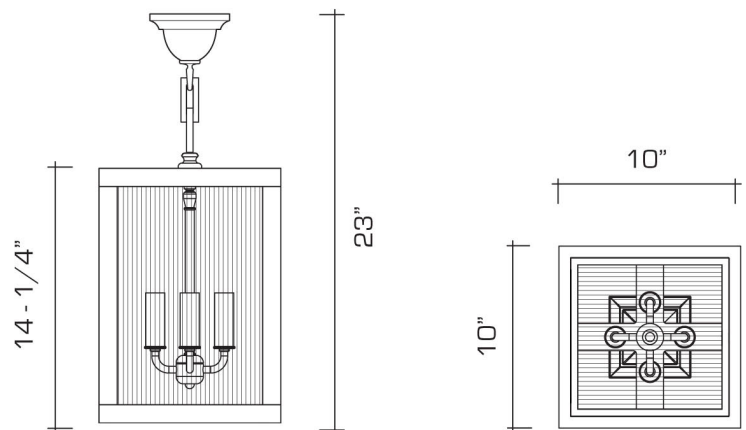



AVAILABLE FINISHES


polished brass

burnished brass, burnished nickel, dark waxed bronze, polished nickel

dark pewter, german silver, light pewter, antique brass, oil rubbed bronze, satin nickel, verdigris



 UL listed for use in dry, damp, or wet environments.

 Manufactured using 90% recycled brass