



REMAINS LIGHTING

PERMANENT COLLECTION

NEW YORK • GREENWICH • CHICAGO • LOS ANGELES • LONDON

HERON INTERIOR WALL LANTERN

Supported on a precisely joined wall armature, our modern distillation of the traditional English foursquare hall lantern is a clean, sharply detailed rectangular form made of solid brass. Glazed with clear fluted glass panels. Shown in Polished Nickel.

DIMENSIONS:

OVERALL: 25" H. X 10" W. X 15-1/2" D.

BACKPLATE: 12" H. X 4" W.

LAMPING:

4 candelabra sockets, maximum 60 watts per socket

Also available with single Edison or GU24 socket (frosted glass recommended)

OPTIONS:

Several glass variations available.

For other configurations and sizes, see our Heron Family.

FUNCTION BOX:



UL listed for use in dry environments

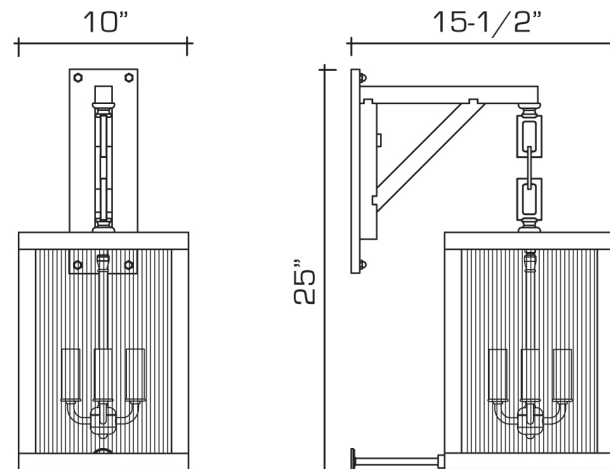
AVAILABLE FINISHES

polished brass

burnished brass, burnished nickel, dark waxed bronze, polished nickel

dark antique brass, dark pewter, german silver, light antique brass, light pewter, medium antique brass, oil rubbed bronze, satin nickel

silverplate



Manufactured using 85% recycled brass