



# REMAINS LIGHTING

PERMANENT COLLECTION

NEW YORK • GREENWICH • CHICAGO • LOS ANGELES • LONDON

## MARTIN EXTERIOR WALL LANTERN

An elegant and versatile eight-sided geometric wall lantern, glazed with clear seeded glass. The glass is contained by solid brass framing. Shown in Light Antique Brass.

### DIMENSIONS:

OVERALL: 27" H. X 12" W. X 16" D.

BACKPLATE: 12" H. X 4" W.

### LAMPING:

4 candelabra sockets, maximum 60 watts per socket

Also available with single Edison or GU24 socket (frosted glass recommended)

### OPTIONS:


Several glass variations available.

For other configurations and sizes, see our Martin Family.

### JUNCTION BOX:

2" x 3" vertical junction box



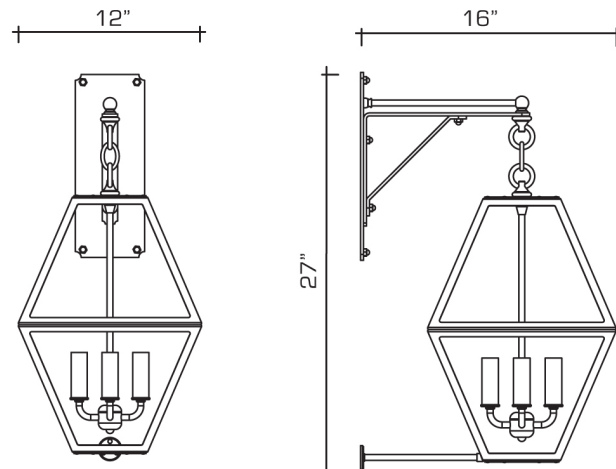
 UL listed for use in dry, damp, or wet environments.

### AVAILABLE FINISHES

polished brass

burnished brass, burnished nickel, dark waxed bronze, polished nickel

dark antique brass, dark pewter, german silver, light antique brass, light pewter, medium antique brass, oil rubbed bronze, satin nickel



Manufactured using 90% recycled brass