



REMAINS LIGHTING

PERMANENT COLLECTION

SORENSEN FLUSH MOUNT

This versatile flush mount references a form of historical factory lighting where the glass was netted for safety. The thick milk-white glass is wrapped in a hand-woven wire fabric. The globe shows subtly unique swirls, seeds, and striations, and each fixture has slight variations due to its hand-made nature.

Shown in Antique Brass.

DIMENSIONS:

Overall: 9-1/4" drop x 18-1/2" diameter

LAMPING:

2 Edison sockets, maximum 75 watts per socket
Also available with 2 GU24 sockets

OPTIONS:

For other configurations and sizes, see our Sorenson Family.

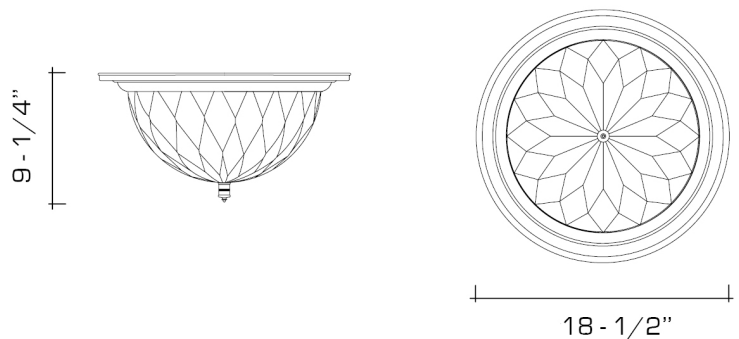



AVAILABLE FINISHES

polished brass

burnished brass, burnished nickel, dark waxed bronze,
polished nickel

dark pewter, german silver, light pewter, antique brass, oil
rubbed bronze, satin nickel



 UL listed for use in dry or damp environments.