



REMAINS LIGHTING

PERMANENT COLLECTION

MERCER 17 EXTERIOR LANTERN

Inspired by stable windows seen in the Pennsylvania countryside, Mercer uses traditional, spare architectural profiles and clean expressed joinery. Shown in Burnished Brass.

DIMENSIONS:

Minimum height: 23-3/4"

Body: 17-1/2" h. x 11-3/4" w. x 11-3/4" d.

LAMPING:

4 candelabra sockets, maximum 60 watts per socket

Also available with single Edison or GU24 socket (frosted glass recommended)

OPTIONS:

Several glass variations available. Optional bottom door also available.

For other configurations and sizes, see our Mercer Family.

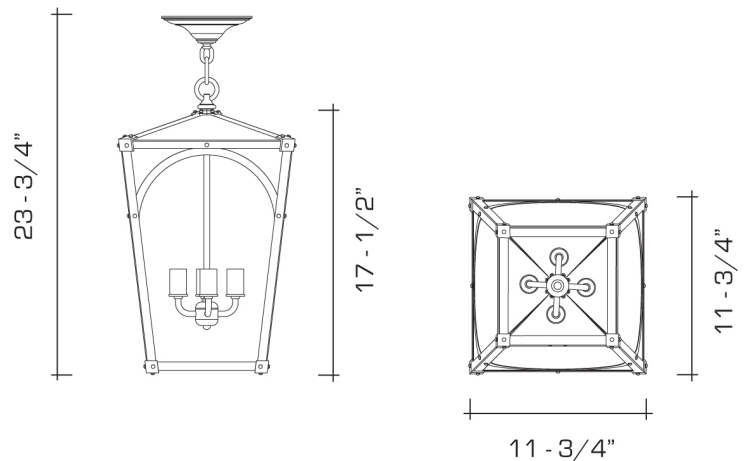



AVAILABLE FINISHES


polished brass

burnished brass, dark waxed bronze, polished nickel, burnished nickel

dark pewter, light pewter, antique brass, oil rubbed bronze, satin nickel, verdigris



 UL listed for use in dry, damp, or wet environments.

 Manufactured using 85% recycled brass