



# REMAINS LIGHTING

PERMANENT COLLECTION

NEW YORK • GREENWICH • CHICAGO • LOS ANGELES • LONDON

## MERCER 17 SCONCE

Inspired by stable windows seen in the Pennsylvania countryside, the Mercer sconce uses traditional, spare architectural profiles and clean expressed joinery.

Shown in Dark Waxed Bronze.

### DIMENSIONS:

OVERALL: 17-1/2" H. x 11-3/4" W. x 6-1/2" D.

### LAMPING:

2 candelabra sockets, maximum 60 watts per socket

Also available with 2 GU24 sockets (frosted glass recommended)

### OPTIONS:


Several glass variations available.

For other configurations and sizes, see our Mercer Family.

### JUNCTION BOX:

2" x 3" vertical junction box



 UL listed for use in dry environments

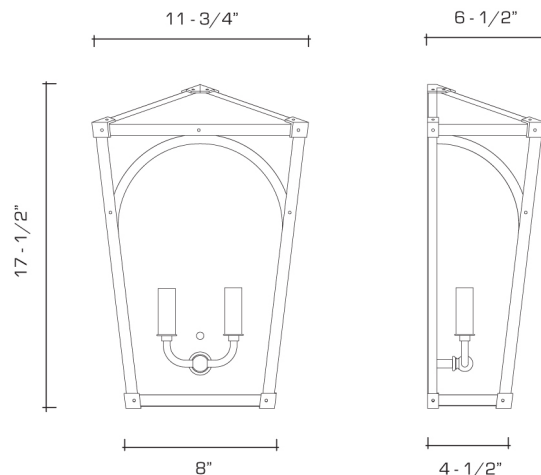
### AVAILABLE FINISHES

polished brass

burnished brass, burnished nickel, dark waxed bronze, polished nickel

dark antique brass, dark pewter, german silver, light antique brass, light pewter, medium antique brass, oil rubbed bronze, satin nickel

silverplate



Manufactured using 85% recycled brass