



REMAINS LIGHTING

PERMANENT COLLECTION

MERCER 17 WALL LANTERN

Inspired by stable windows seen in the Pennsylvania countryside, the Mercer wall lantern uses traditional, spare architectural profiles and clean expressed joinery.

Shown in Antique Brass.

DIMENSIONS:

Overall: 22-1/2" h. x 11-1/2" w. x 16" d.

Backplate: 12" h. x 4-1/2" w.

LAMPING:

4 Candelabra sockets

Also available with single Edison or GU24 socket
(frosted glass recommended)

OPTIONS:

Several glass variations available.

For other configurations and sizes, see our Mercer Family.



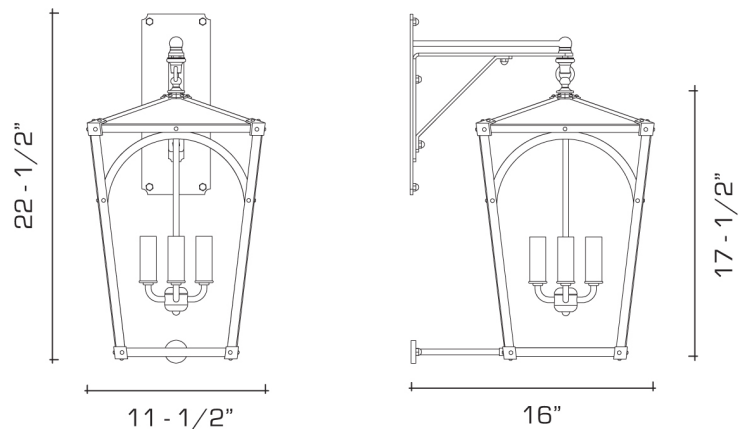
AVAILABLE FINISHES

polished brass

burnished brass, dark waxed bronze, polished nickel,
burnished nickel

dark pewter, light pewter, antique brass, oil rubbed bronze,
satin nickel

verdigris



Manufactured using 85% recycled brass