



# REMAINS LIGHTING

PERMANENT COLLECTION

## MARLOWE HEXAGONAL LANTERN

The Marlowe hexagonal lantern takes its inspiration from the proportions of classic English hall lights. Rendered here with clean, modern lines and jewelry-cast corners. Shown in Burnished Brass.

### DIMENSIONS:

Minimum height: 33-1/2"

Overall: 18-1/2" diameter

### LAMPING:

3 candelabra sockets, maximum 60 watts per socket

### OPTIONS:

Several glass variations available. For other configurations and sizes, see our Marlowe Family.

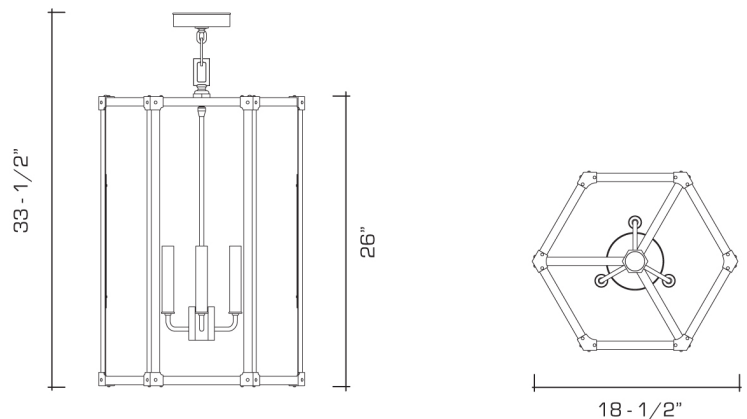



## AVAILABLE FINISHES


polished brass

burnished nickel, dark waxed bronze, polished nickel, burnished brass

dark pewter, german silver, light pewter, antique brass, oil rubbed bronze, satin nickel



 UL listed for use in dry environments

 Manufactured using 90% recycled brass