



REMAINS LIGHTING

PERMANENT COLLECTION

NEW YORK • GREENWICH • CHICAGO • LOS ANGELES • LONDON

PAUL 13 EXTERIOR LANTERN

The Paul is defined by the single curve of its vaulted roof. It is crafted from robust cut-brass panels and subtly detailed with sharp corner mullions that step slightly proud of the body.

Shown in Dark Waxed Bronze.

DIMENSIONS:

MINIMUM HEIGHT: 21-7/8"

OVERALL: 12" W. X 12" D.

LAMPING:

4 candelabra sockets, maximum 60 watts per socket


Also available with single Edison or GU24 socket (frosted glass recommended)

OPTIONS:

Several glass variations available.

For other configurations and sizes, see our Paul Family.



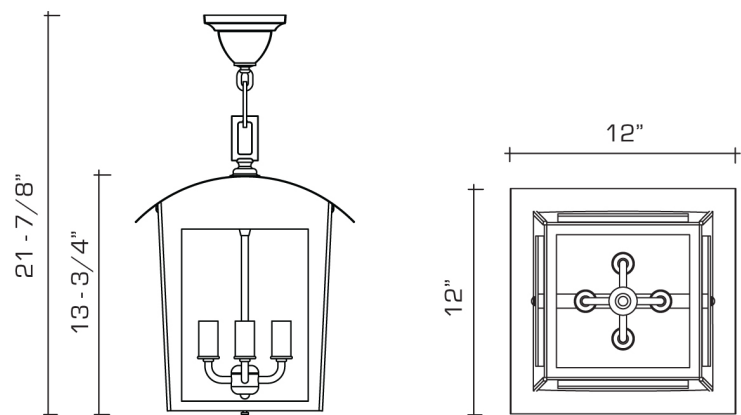
 UL listed for use in dry, damp, or wet environments.

AVAILABLE FINISHES

polished brass

burnished brass, burnished nickel, dark waxed bronze, polished nickel, mandarin red

dark antique brass, dark pewter, german silver, light antique brass, light pewter, medium antique brass, oil rubbed bronze, satin nickel



Manufactured using 30% recycled brass