



REMAINS LIGHTING

PERMANENT COLLECTION

NEW YORK • GREENWICH • CHICAGO • LOS ANGELES • LONDON

PAUL 13 EXTERIOR WALL LANTERN

Supported on a cove-detailed wall armature, the Paul is defined by the single curve of its vaulted roof. It is crafted from robust cut-brass panels and subtly detailed with sharp corner mullions. Shown in Burnished Nickel.

DIMENSIONS:

OVERALL: 24-3/8" H. x 12" W. x 16-1/4" D.

BACKPLATE: 12" H. x 4" W.

LAMPING:

4 candelabra sockets, maximum 60 watts per socket

Also available with single Edison or GU24 socket

OPTIONS:


Several glass variations available.

For other configurations and sizes, see our Paul Family.

JUNCTION BOX:

2" x 3" vertical junction box recommended



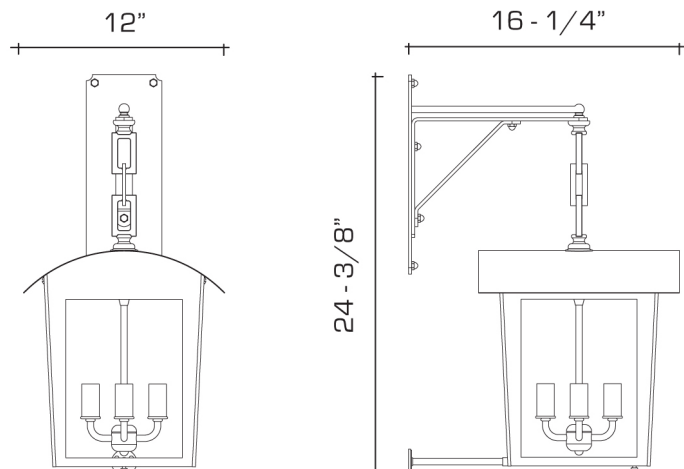
 UL listed for use in dry, damp, or wet environments.

AVAILABLE FINISHES

polished brass

burnished brass, burnished nickel, dark waxed bronze, polished nickel, mandarin red

dark antique brass, dark pewter, german silver, light antique brass, light pewter, medium antique brass, oil rubbed bronze, satin nickel



Manufactured using 30% recycled brass