



REMAINS LIGHTING

PERMANENT COLLECTION

NEW YORK • GREENWICH • CHICAGO • LOS ANGELES • LONDON

TESS SINGLE SWING ARM SCONCE

A turned and cut brass swing-arm sconce with a banded column and chamfered rectangular backplate. With satin weave shade.

Shown in Medium Antique Brass.

DIMENSIONS:

OVERALL: 12-1/4" H. x 3-1/4" W. x 13-1/4" D.

BACKPLATE: 4-5/8" H. x 3-1/4" W.

SHADE: 7-1/2" H. x 5-1/4" TOP DIAMETER x 6-1/8" BOTTOM DIAMETER

LAMPING:

Single Edison socket, maximum 75 watts


Also available with single GU24 or 3-way socket

OPTIONS:

For other configurations and sizes, see our Tess Family.

JUNCTION BOX:

2" x 3" vertical junction box recommended

 UL listed for use in dry environments

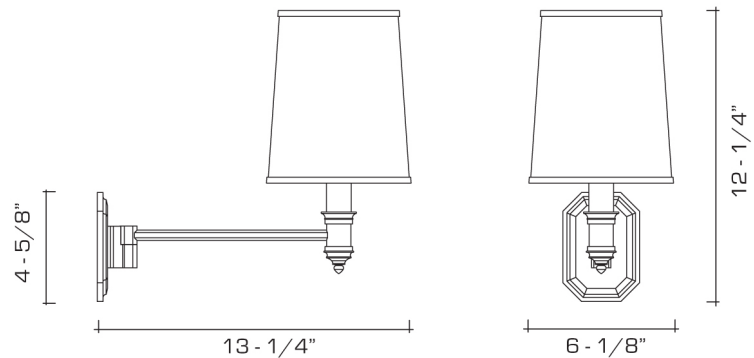
AVAILABLE FINISHES

polished brass

burnished brass, burnished nickel, dark waxed bronze, polished nickel

dark antique brass, dark pewter, german silver, light antique brass, light pewter, medium antique brass, oil rubbed bronze, satin nickel

silverplate



Manufactured using 90% recycled brass