



REMAINS LIGHTING

PERMANENT COLLECTION

NEW YORK • GREENWICH • CHICAGO • LOS ANGELES • LONDON

VERONIQUE SINGLE SWING ARM SCONCE

A French Moderne style swing-arm wall sconce, constructed of crisp elemental forms in solid brass. With linen shade. Shown in Burnished Nickel.

DIMENSIONS:

OVERALL: 20" H. X 8" W. X 15" D.

BACKPLATE: 4-1/4" DIAMETER

SHADE: 10" H. X 8" DIAMETER

LAMPING:

Single Edison socket, maximum 100 watts
Also available with single 3-way or GU24 socket


OPTIONS:

For other configurations and sizes, see our Veronique Family.

JUNCTION BOX:

2" x 3" vertical junction box



 UL listed for use in dry environments

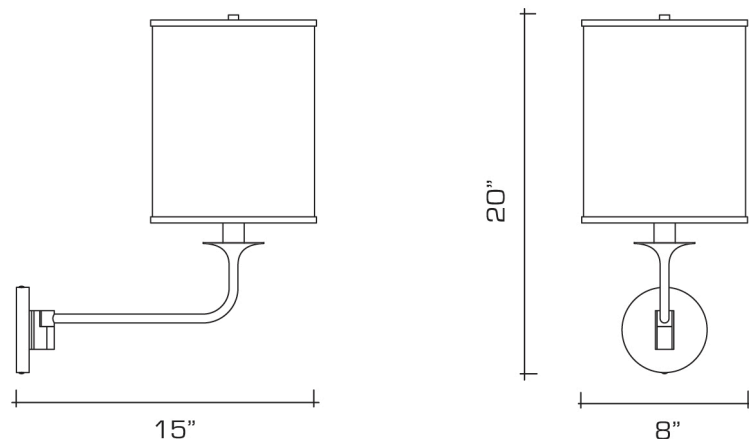
AVAILABLE FINISHES


polished brass

burnished brass, burnished nickel, dark waxed bronze, polished nickel

dark antique brass, dark pewter, german silver, light antique brass, light pewter, medium antique brass, oil rubbed bronze, satin nickel

silverplate



 Manufactured using 95% recycled brass