



REMAINS LIGHTING

PERMANENT COLLECTION

ERIC SINGLE SWING ARM SCONCE

A torchiere swing-arm sconce, precisely crafted from solid brass, with fine beading and rope-twist details. The lamp is shaded with a silk shade. Shown in Polished Nickel.

DIMENSIONS:

Overall (extended): 20-1/2" h. x 10-1/4" w. x 15-1/4" d.

Backplate: 4-3/4" h. x 3" w.

Shade: 9-1/2" h. x 8-1/4" top diameter x 10-1/4" bottom diameter

LAMPING:

Single Edison socket, maximum 100 watts
Also available with single GU24 or Three-Way Edison socket

OPTIONS:

For other configurations and sizes, see our Eric Family.

JUNCTION BOX:

2" x 3" vertical junction box recommended

IS1032.S.1

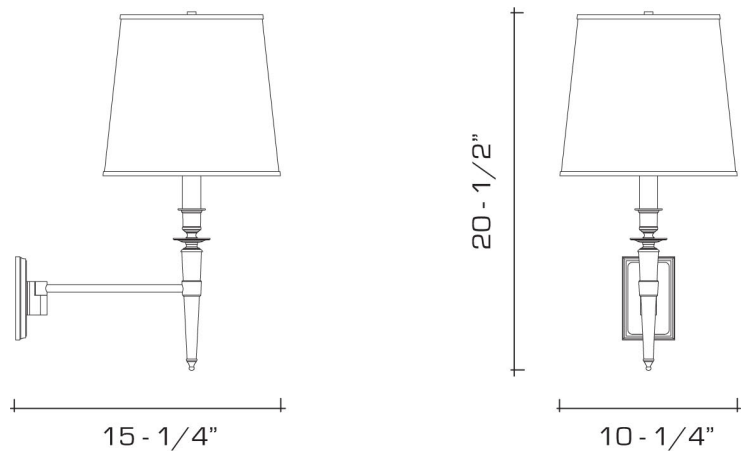



AVAILABLE FINISHES

polished brass

burnished brass, burnished nickel, dark waxed bronze, polished nickel

dark pewter, german silver, light pewter, antique brass, oil rubbed bronze, satin nickel



 UL listed for use in dry environments

Manufactured using 95% recycled brass