



REMAINS LIGHTING

PERMANENT COLLECTION

SORENSEN 14 WALL LANTERN

Supported on a cove-detailed wall armature, this versatile wall lantern references a form of historical factory lighting where the glass was netted for safety. The thick clear mouth-blown glass is wrapped in handwoven wire fabric. The globe shows subtly unique swirls, seeds, and striations, and each fixture has slight variations due to its hand-made nature.

Shown in Burnished Nickel.

DIMENSIONS:

Overall: 22-1/4" h. x 14" w. x 17-1/4" d.

Backplate: 11-7/8" h. x 4-1/2" w.

LAMPING:

3 candelabra sockets, maximum 60 watts per socket
Also available with single Edison socket

OPTIONS:

For other configurations and sizes, see our Sorenson Family.

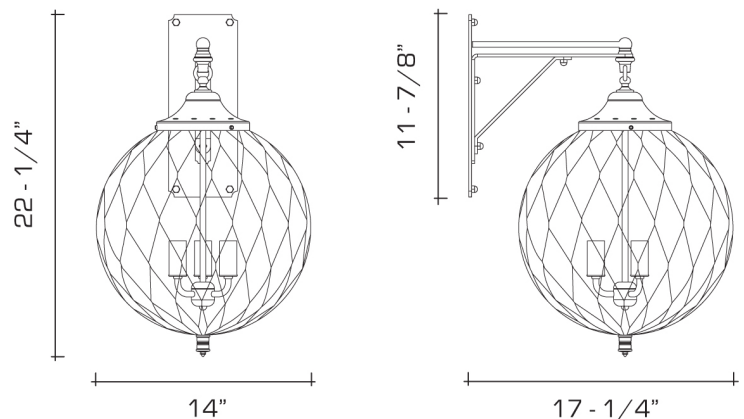



AVAILABLE FINISHES

polished brass

burnished brass, burnished nickel, dark waxed bronze, polished nickel

dark pewter, light pewter, antique brass, oil rubbed bronze, satin nickel, german silver



 UL listed for use in dry environments