



REMAINS LIGHTING

PERMANENT COLLECTION

CALAIS CARRIAGE LANTERN

Conceived and drawn by Designer Tracey Topping, the gossamer, lace-like scrim of fleur-de-lis and quatrefoils contrast with the muscular cast bronze studded clasps. The lamp is framed with clear glass panels.

Shown in Dark Waxed Bronze.

DIMENSIONS:

Overall: 26-1/4" h. x 14" w. x 11-1/8" d.

Backplate: 24-5/8" h. x 4" w.

LAMPING:

Single Edison socket, maximum 75 watts

Also available with single GU24 socket (frosted glass recommended)

OPTIONS:

Several glass variations available.

For other configurations and sizes, see our Calais Family.

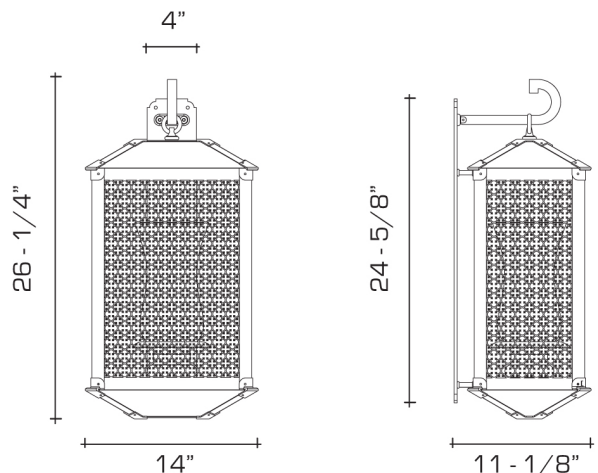



AVAILABLE FINISHES

polished brass

dark waxed bronze, burnished brass, burnished nickel, polished nickel

dark pewter, german silver, light pewter, antique brass, oil rubbed bronze, satin nickel, verdigris



 UL listed for use in dry, damp, or wet environments.

 Manufactured using 90% recycled brass