



REMAINS LIGHTING

PERMANENT COLLECTION

NEW YORK • GREENWICH • CHICAGO • LOS ANGELES • LONDON

DEVON EXTERIOR SCONCE

A pure distillation of the archetypical lantern body exterior sconce, the Devon is made of precisely tooled brass with a hand worked surface, and glazed with clear seeded glass panels. Shown in Light Pewter.

DIMENSIONS:

OVERALL: 24-1/2" H. x 10-1/2" W. x 12" D.

BACKPLATE: 6" DIAMETER

LAMPING:


Single Edison socket, maximum 150 watts

OPTIONS:

Several glass variations available.

For other configurations and sizes, see our Devon Family.



 UL listed for use in dry, damp, or wet environments.

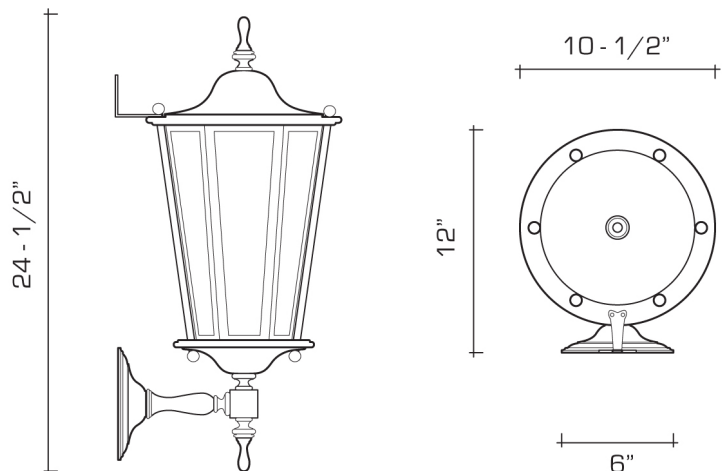
AVAILABLE FINISHES

polished brass

burnished brass, burnished nickel, dark waxed bronze, polished nickel

dark antique brass, dark pewter, german silver, light antique brass, light pewter, medium antique brass, oil rubbed bronze, satin nickel

silverplate



Manufactured using 90% recycled brass