



REMAINS LIGHTING

PERMANENT COLLECTION

SORENSEN 12 LANTERN

This versatile lantern references a form of historical factory lighting where the glass was netted for safety. The thick clear mouth-blown glass is wrapped in a hand-woven wire fabric. Each with slight, unique variations due to the hand-made nature of the glass and netting. Shown in Dark Waxed Bronze.

DIMENSIONS:

Minimum height (with hangstraight): 18-3/4"

Minimum height (with one link of chain): 22"

Overall: 12" diameter

LAMPING:

3 Candelabra sockets, maximum 60 watts per socket

Also available with single Edison socket

OPTIONS:

Reeded or smooth stem also available. Reduced minimum heights available.

For other configurations and sizes, see our Sorenson Family.

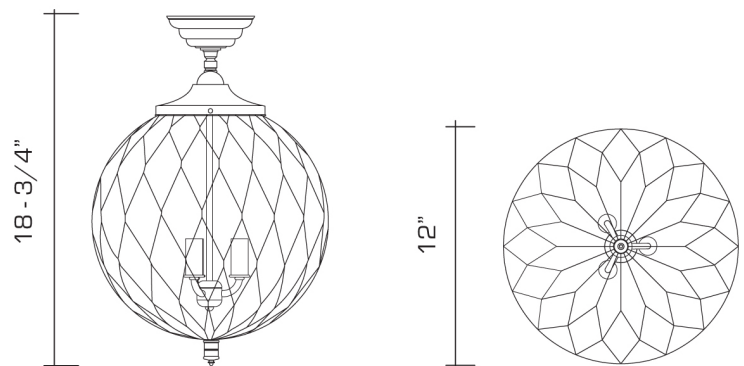



AVAILABLE FINISHES

polished brass

burnished brass, burnished nickel, dark waxed bronze, polished nickel

dark pewter, german silver, light pewter, antique brass, oil rubbed bronze, satin nickel



 UL listed for use in dry environments