

REMAINS LIGHTING

PERMANENT COLLECTION

PHILIP HEXAGONAL LANTERN

Inspired by an early 19th-century English mirror design, the Philip lantern is a six-sided framework of bronze and glass panels joined with the most sophisticated jewelry techniques possible. With crisp cove-and-point details. Glazed with clear glass.

Shown in Polished Nickel.

DIMENSIONS:

Minimum height: 26-7/8"

Overall: 16" diameter

Body: 19-7/8" h.

LAMPING:

3 Candelabra sockets, maximum 60 watts per socket

OPTIONS:

Several glass variations available.

For other configurations and sizes, see our Philip Family.

HL2929.16

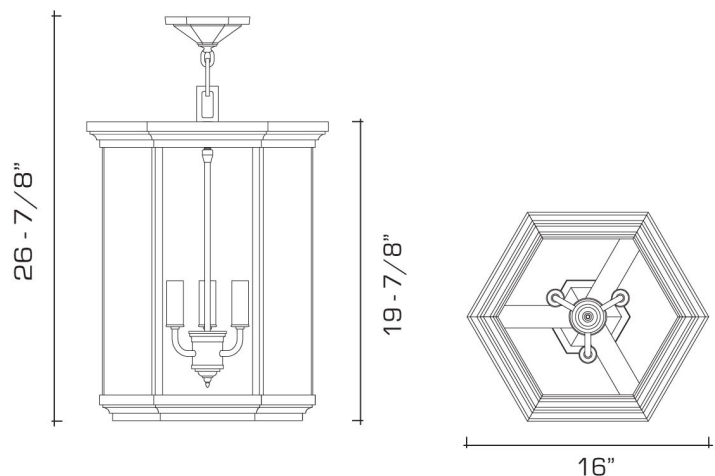



AVAILABLE FINISHES


polished brass

burnished nickel, dark waxed bronze, polished nickel, burnished brass

dark pewter, german silver, light pewter, antique brass, oil rubbed bronze, satin nickel



 UL listed for use in dry environments

 Manufactured using 90% recycled brass