



Tony Duquette by REMAINS LIGHTING

CALIFORNIA SUNBURST 30 PENDANT

Inspired by the sun motifs in Tony Duquette's "California Sunburst" stage curtain for the LA Music Center (1964) and his San Francisco Canticle of the Sun exhibition. The rays of hand-polished metal reflect the light in a starburst pattern on the ceiling and walls and let slivers trace through the faceted bottom.

Shown in Duquette Nickel.

DIMENSIONS:

Minimum height: 6"

Overall: 28-7/8" diameter

LAMPING:

3 Candelabra sockets, maximum 60 watts per socket

OPTIONS:

For other configurations and sizes, see our California Sunburst Family.

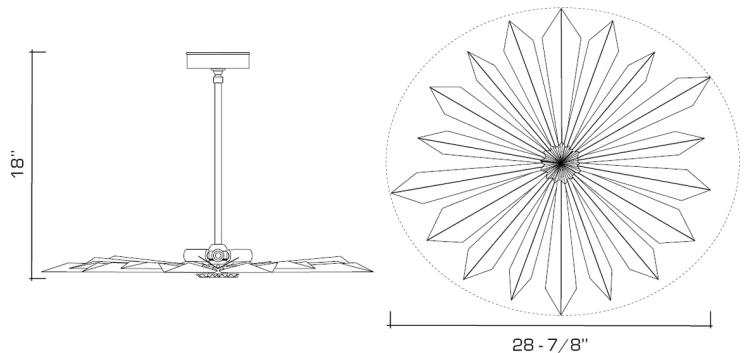



AVAILABLE FINISHES

duquette brass

duquette nickel, hand painted - please provide color

duquette antique brass



 UL listed for use in dry environments