



REMAINS LIGHTING

PERMANENT COLLECTION

SHEARWATER TWIN BILLIARD

A sharp-edged streamlined billiard fixture with metalwork designed of 90 degree faceted solid brass details. The two white linen square shades are trimmed with integral linen diffusers. Shown in Dark Waxed Bronze.

DIMENSIONS:

Minimum height: 19"
Overall: 48-3/8" diameter
Shade: 8" h. x 14" w. x 14" d.

LAMPING:

4 Edison sockets, maximum 75 watts per socket
Also available with GU24 sockets

OPTIONS:

For other configurations and sizes, see our Elliott Family.

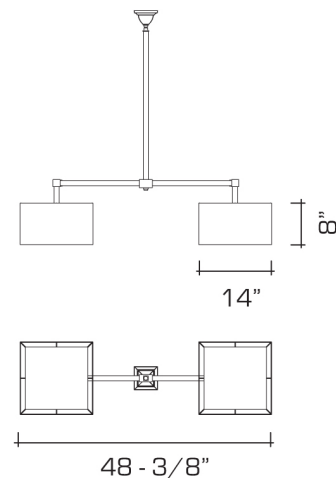



AVAILABLE FINISHES


polished brass

burnished brass, burnished nickel, dark waxed bronze, polished nickel

dark pewter, german silver, light pewter, antique brass, oil rubbed bronze, satin nickel



 UL listed for use in dry environments

 Manufactured using 90% recycled brass