



ALAN WANZENBERG

for REMAINS LIGHTING

## NEVINS 10 PENDANT

Designed by Alan Wanzenberg for Remains Lighting, the Nevins Pendant is the most simple and elemental of fixtures; just a pure milk glass dome suspended in a ribbon of unadorned metal, dropped on a slender stem and ceiling canopy.

Shown in Light Pewter.

### DIMENSIONS:

Minimum height: 10"

Overall: 10-1/4" diameter

Glass: 4-1/4" h. x 9-1/4" diameter

### LAMPING:

2 Candelabra sockets, maximum 60 watts per socket

### OPTIONS:

For other configurations and sizes, see our Nevins Family.

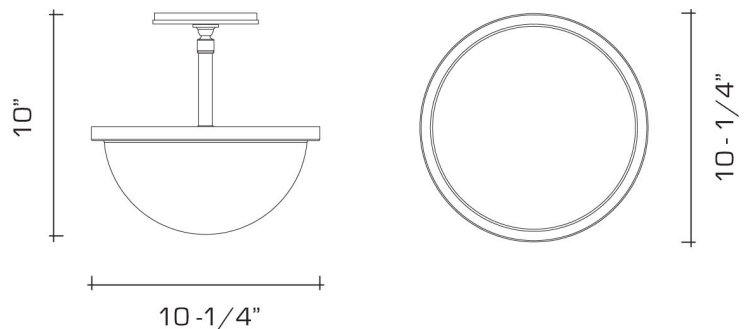



### AVAILABLE FINISHES


polished brass

burnished brass, dark waxed bronze, burnished nickel, polished nickel

satin nickel, antique brass, oil rubbed bronze, light pewter, german silver, dark pewter



 UL listed for use in dry or damp environments.

 Manufactured using 90% recycled brass