



ALAN WANZENBERG

for REMAINS LIGHTING

## NEVINS 14 PENDANT

Designed by Alan Wanzenberg for Remains Lighting, the Nevins Pendant is the most simple and elemental of fixtures; just a pure milk glass dome suspended in a ribbon of unadorned metal, dropped on a slender stem and ceiling canopy.

Shown in Satin Nickel.

### DIMENSIONS:

Minimum height: 12-1/4"

Overall: 14" diameter

Glass: 7" h.

### LAMPING:

2 Edison sockets, maximum 75 watts per socket

Also available with 2 GU24 sockets

### OPTIONS:

For other configurations and sizes, see our Nevins Family.

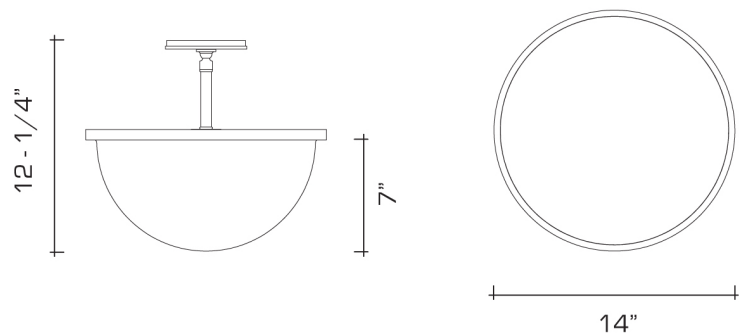



## AVAILABLE FINISHES


polished brass

burnished brass, dark waxed bronze, polished nickel, burnished nickel

antique brass, oil rubbed bronze, satin nickel, light pewter, dark pewter, german silver



 UL listed for use in dry or damp environments.

 Manufactured using 90% recycled brass