



# REMAINS LIGHTING

PERMANENT COLLECTION

## DE HAVILLAND SCONCE

The central peak and ogee border detail that's found in all of the elements of this fixture took as a starting point the snout of the single engine DCH-2 Beaver with its propeller cone framed by the radial cylinders and cowling.

Shown in Antique Brass.

### DIMENSIONS:

Overall: 10-7/8" h. x 5-1/2" w. x 4-3/4" d.

Backplate: 5-1/2" diameter

### LAMPING:

Single Candelabra socket, maximum 60 watts

### OPTIONS:

For other configurations and sizes, see our De Havilland Family.

### JUNCTION BOX:

2" x 3" junction box recommended

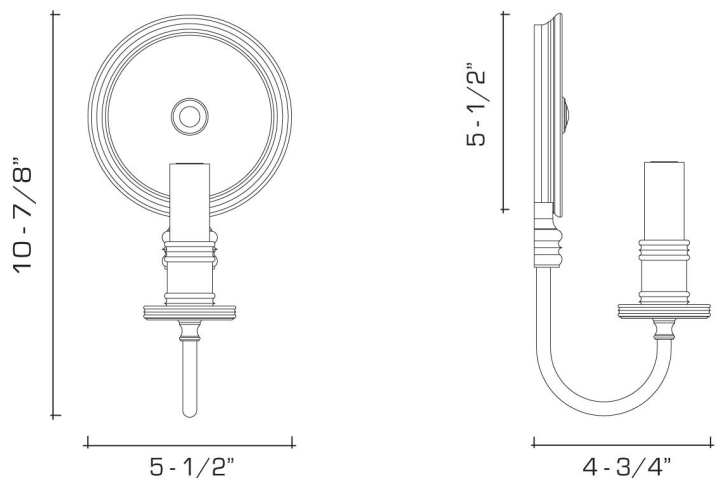



## AVAILABLE FINISHES

polished brass

burnished brass, dark waxed bronze, polished nickel, burnished nickel

antique brass, oil rubbed bronze, satin nickel, light pewter, german silver, dark pewter



 UL listed for use in dry environments