



REMAINS LIGHTING

PERMANENT COLLECTION

HOWARD TWIN SCONCE

The beaded banding and ball feet of this fixture comes from the rivet patterns and the cowled wheels of the Howard Aircraft Co.'s DGA 8 and 11s, among the most luxurious (and expensive) private planes of the 1930s.

Shown in Antique Brass.

DIMENSIONS:

Overall: 12-3/4" h. x 10" w. x 4" d.

Backplate: 5" h. x 5" w.

LAMPING:

2 Candelabra sockets, maximum 60 watts per socket

OPTIONS:

For other configurations and sizes, see our Howard Family.

JUNCTION BOX:

2" x 3" Vertical junction box recommended

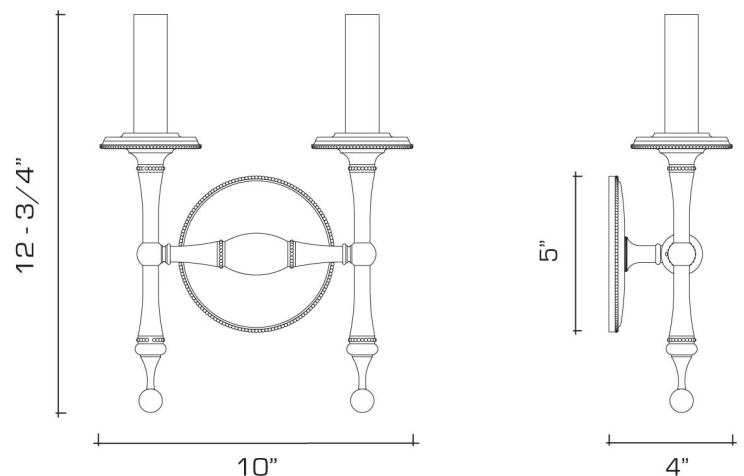



AVAILABLE FINISHES

polished brass

burnished brass, dark waxed bronze, burnished nickel, polished nickel

antique brass, oil rubbed bronze, satin nickel, light pewter, german silver, dark pewter



 UL listed for use in dry environments