

# Scofield at REMAINS LIGHTING

## EDISON STYLE EXTERIOR PENDANT SMALL

With the introduction of the first light bulb in 1879, the world's fascination with the source of light took on new heights. Bulbs were meant to be seen and admired. The simplicity of this rustic interpretation of the Victorian fixture stays true to this fact. Edison type shade circa 1880. Designed by Scofield. Shown in Oxidized Copper.

### DIMENSIONS:

Minimum height: 15-1/2"

Overall: 12" diameter

### LAMPING:

Single Edison socket, maximum 100 watts

### OPTIONS:

Supplied on a hanging hook; chain also available. For other configurations and sizes, see our Edison Family.

See our Scofield options sheet for selections

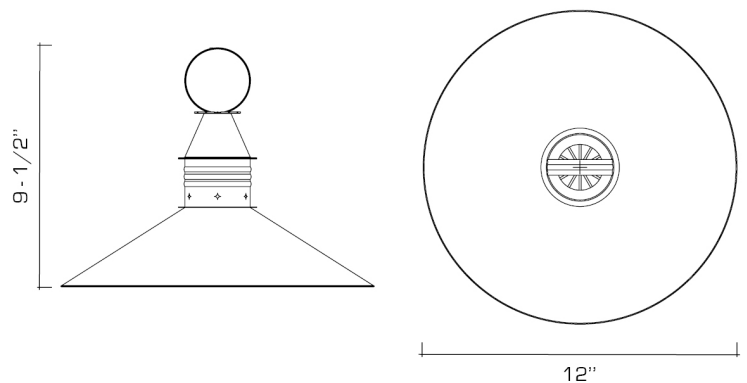



## AVAILABLE FINISHES

natural copper

bronzed copper

oxidized copper



 UL listed for use in dry, damp, or wet environments.