

Scofield at REMAINS LIGHTING

CLASSIC EXTERIOR POST LANTERN LARGE

Inspired by an American wall lantern, 18th century.
Designed by Scofield.
Shown in Bronzed Copper.

DIMENSIONS:

Overall: 29-1/2" h. x 14" w. x 14" d.

LAMPING:

Single Edison socket, maximum 100 watts
Also available with 3 Candelabra socket

OPTIONS:

Please specify curved or straight chimney.
Additional glass and post options available.
Supplied with a 3" post collar, pier mounting options
also available.
For other configurations and sizes, see our Classic
Lantern Family.
See our Scofield options sheet for selections



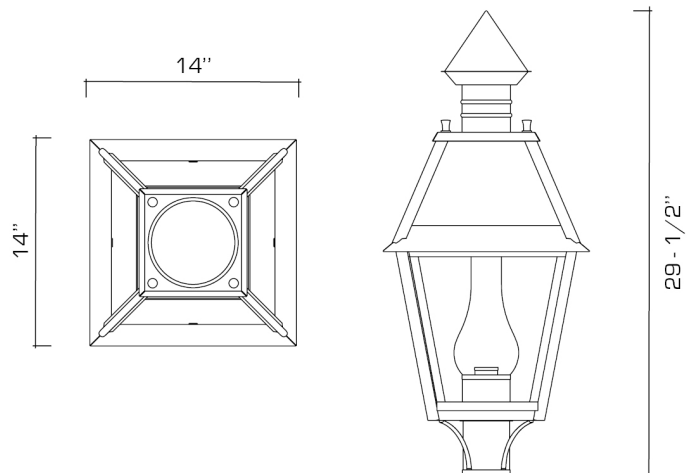
SEP712P.L


AVAILABLE FINISHES

natural copper

bronzed copper

oxidized copper



 UL listed for use in dry, damp, or wet environments.