

Scofield at REMAINS LIGHTING

PHILADELPHIA EXTERIOR POST LANTERN LARGE

Ben Franklin's early experience in his father's soap and candle shop led fortuitously to his invention of a two wick tube that greatly increased the power of lantern light in 1751. This led to the production of street lanterns that lit the city of Philadelphia. Late 18th - early 19th century. Designed by Scofield. Shown in Bronzed Copper.

DIMENSIONS:

Overall: 32" h. x 16" w. x 16" d.

LAMPING:

Single Edison socket, maximum 100 watts
Also available with 3 Candelabra socket

OPTIONS:

Please specify curved or straight chimney.
Additional glass and post options available.
Supplied with a 3" post collar, pier mounting options also available.
For other configurations and sizes, see our Philadelphia Lantern Family.
See our Scofield options sheet for selections

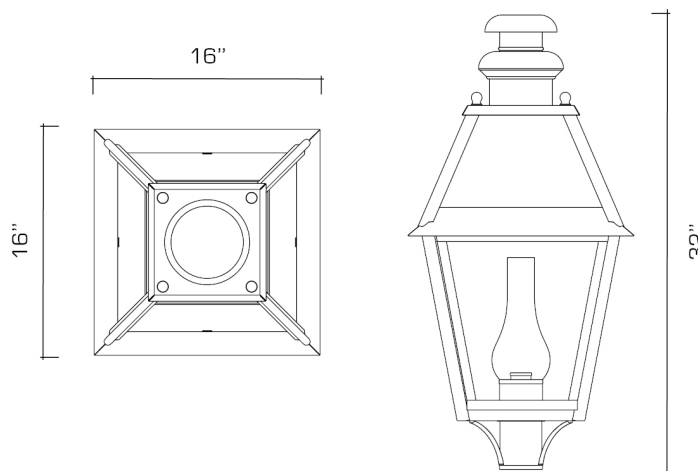



AVAILABLE FINISHES

natural copper

bronzed copper

oxidized copper



 UL listed for use in dry, damp, or wet environments.