

# *Scofield* at REMAINS LIGHTING

## BOSTON EXTERIOR WALL LANTERN LARGE

Boston street lighting typical to late 18th - early 19th century. Designed by Scofield.  
Shown in Bronzed Copper.

### DIMENSIONS:

Overall: 37" h. x 16" w. x 20" d.

### LAMPING:

Single Edison socket, maximum 100 watts  
Also available with 3 Candelabra socket

### OPTIONS:

Please specify curved or straight chimney. Supplied on a yoke bracket; wing bracket and additional glass options available..

For other configurations and sizes, see our Boston Lantern Family.

See our Scofield options sheet for selections

### JUNCTION BOX:

2" x 3" Vertical junction box

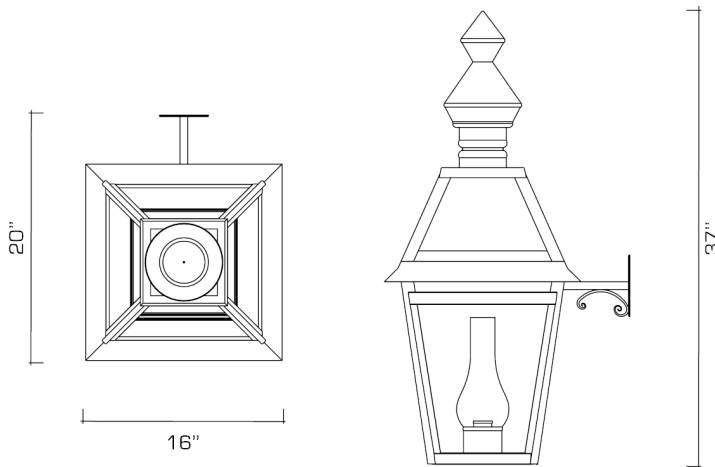



### AVAILABLE FINISHES

natural copper

bronzed copper

oxidized copper



 UL listed for use in dry, damp, or wet environments.